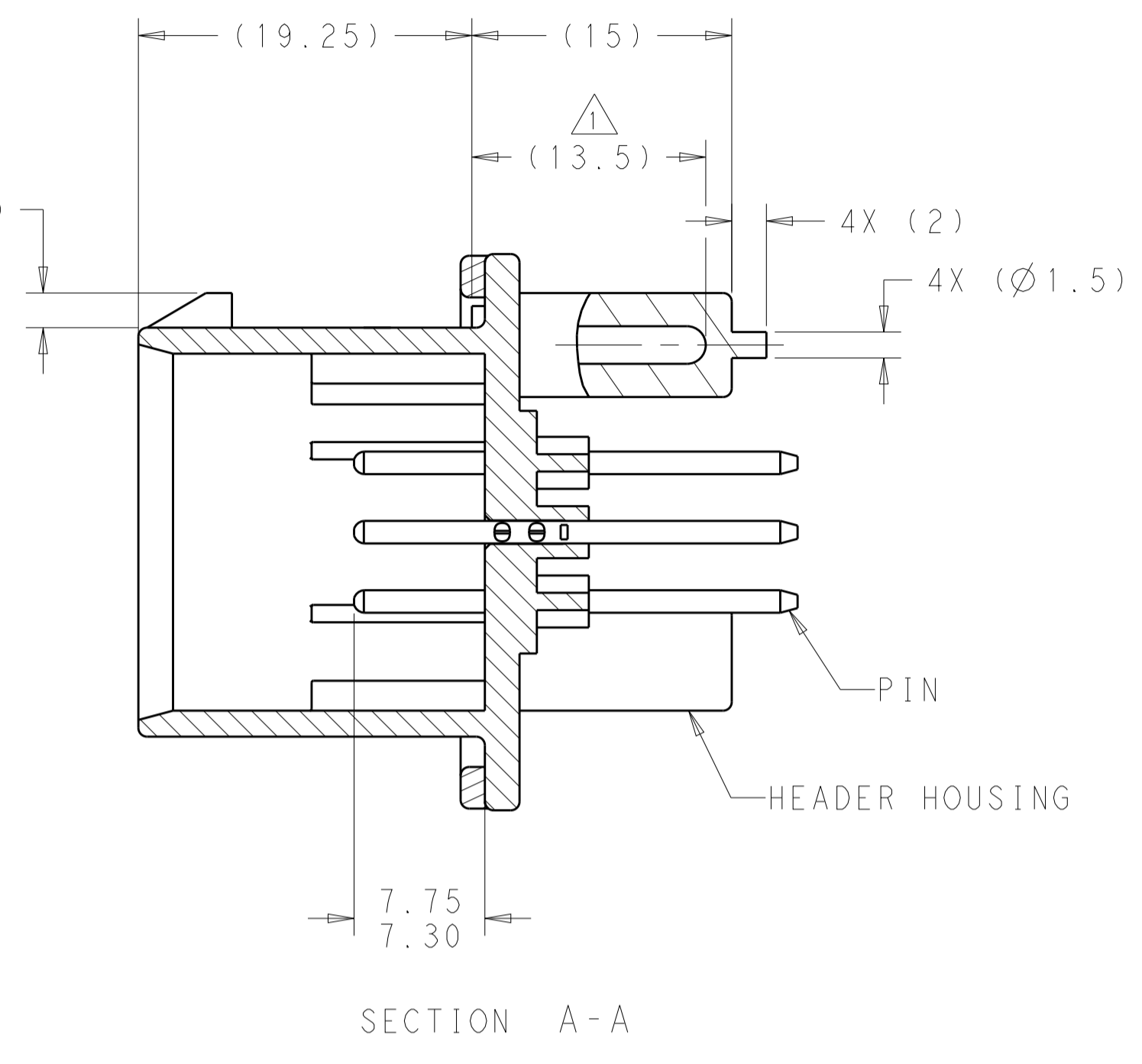
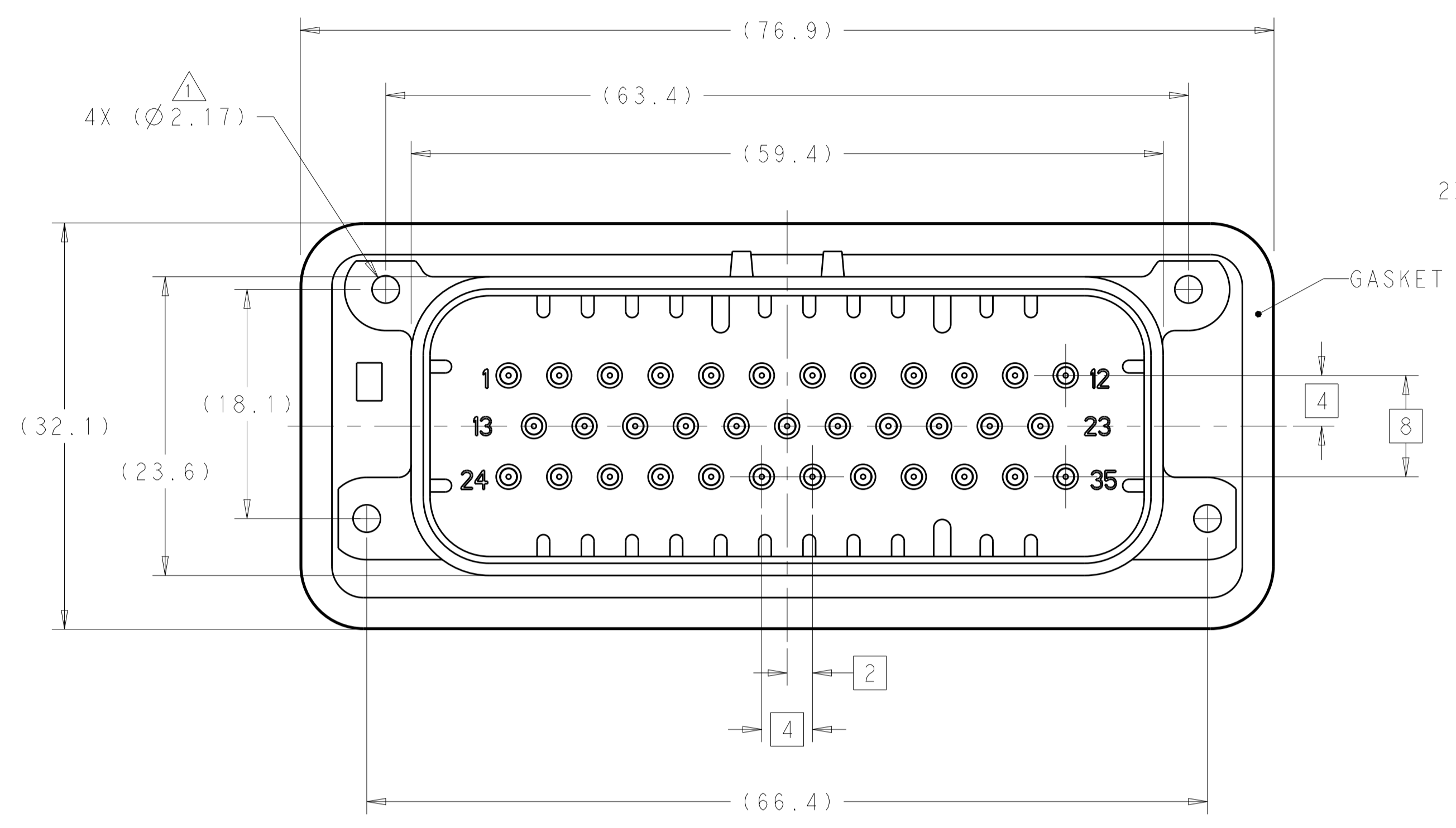
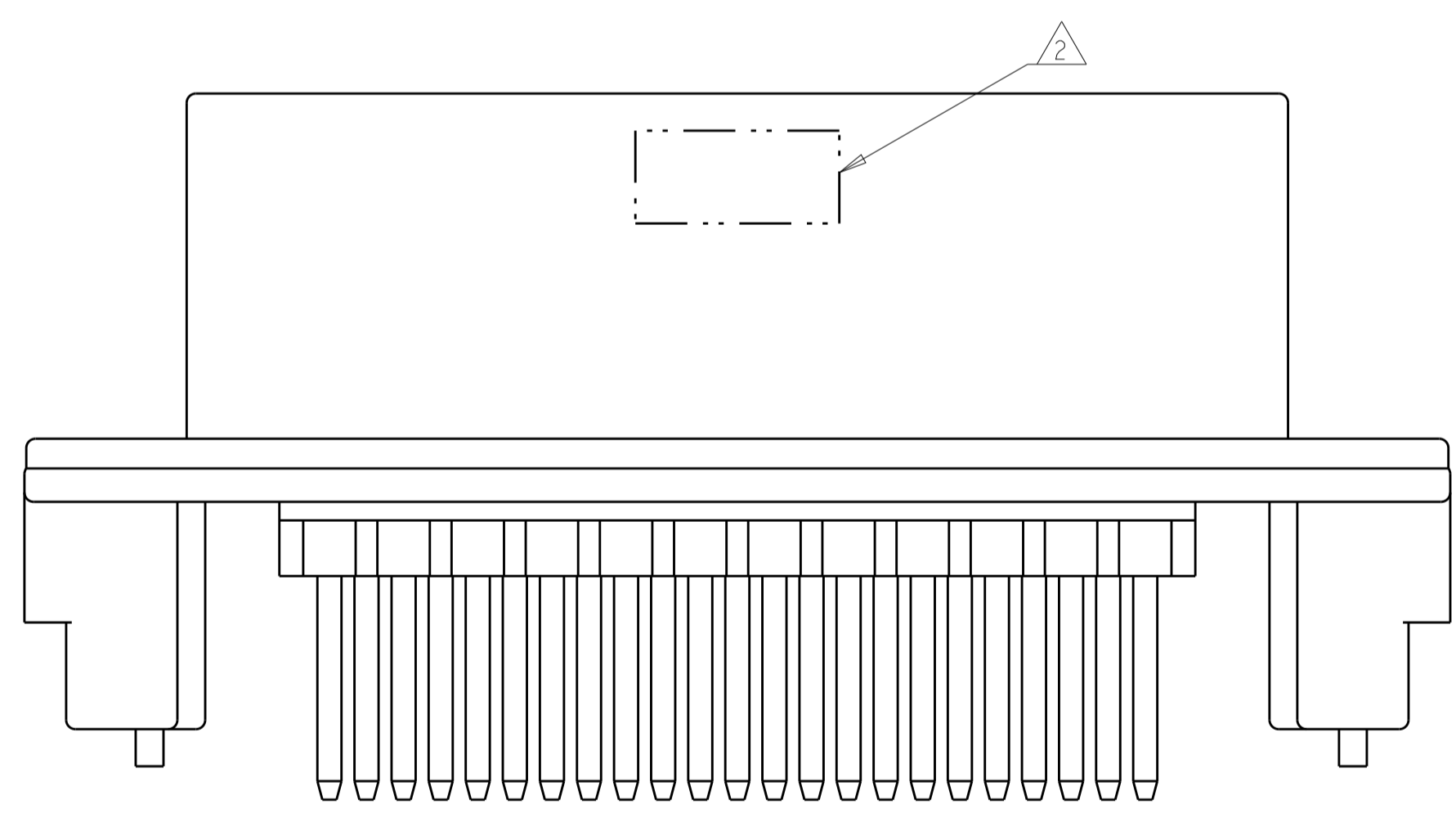


REVISIONS				
P.	LTN	DESCRIPTION	DATE	APVD
A10		REVISED PER ECO-15-003872	25MAR2015	DD DS
A11		REVISED PER ECO-16-003526	09MAR2016	JM DS



- 1 ACCEPTS #3 SELF TAPPING THREAD FORMING SCREWS OR METRIC EQUIVALENT. DRIVE TO 0.6-0.8 N-m
- 2 DATE CODE IN THIS LOCATION USING 5 DIGIT CODE FIRST 2 DIGITS = YEAR, SECOND 2 DIGITS = WEEK LAST DIGIT = DAY.
- 3 MATERIALS: HEADER HOUSING - GLASS FILLED PBT
PINS - TIN OR GOLD PLATED BRASS
GASKET - SILICONE
- 4 HOUSING COLORS ARE MECHANICALLY KEYPED TO MATE ONLY WITH IDENTICALLY COLORED PLUG ASSEMBLIES.
- 5. HEADER MATES TO PLUG ASSEMBLY 776164 WHICH USES REELED TERMINAL 770520 OR LOOSE PIECE TERMINAL 770854

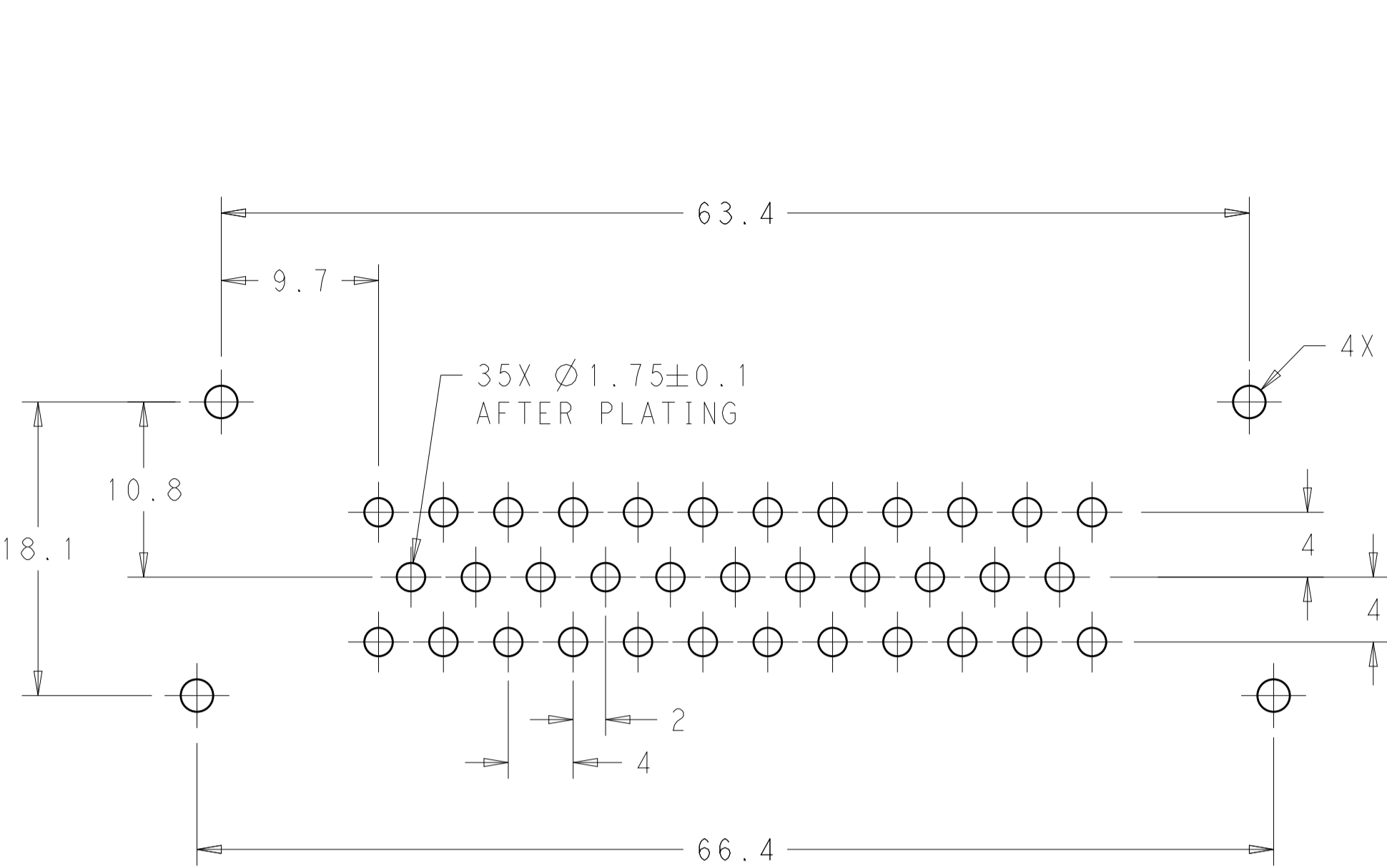


776231-1 & 1-776231-1 SHOWN

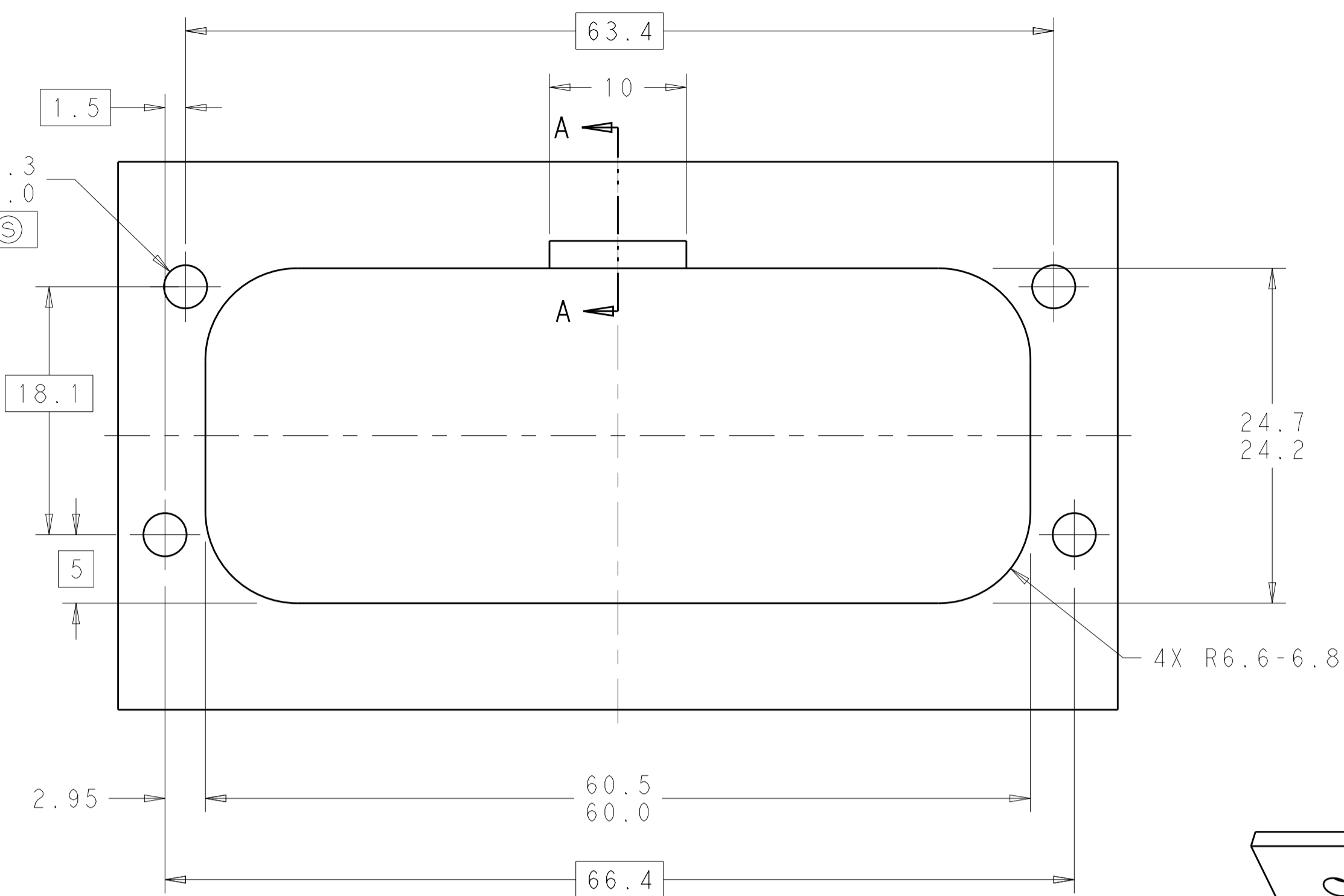
ORANGE	DURAGOLD	1-776231-6
BLUE	DURAGOLD	1-776231-5
GRAY	DURAGOLD	1-776231-4
NATURAL	DURAGOLD	1-776231-2
BLACK	DURAGOLD	1-776231-1
BLUE	TIN	776231-5
GRAY	TIN	776231-4
NATURAL	TIN	776231-2
BLACK	TIN	776231-1
HEADER COLOR	PLATING	PART NUMBER

THIS DRAWING IS A CONTROLLED DOCUMENT.		OWN: D. STRAUSSER 05MAR2010	TE Connectivity		
DIMENSIONS: mm		CHK: D. STRAUSSER 22MAR2010			
TOLERANCES UNLESS OTHERWISE SPECIFIED:		APVD: D. STRAUSSER 27APR2010			
0 PLC ± 2 PLC ±0.2 3 PLC ±0.13 4 PLC ± ANGLES ±°		PRODUCT SPEC: 108-1329	NAME: ASSEMBLY, HEADER, 35 POSITION, VERTICAL, AMPSEAL WITH FLANGE SEAL		
MATERIAL: 3		APPLICATION SPEC: 114-16016	SIZE: A100779	CAGE CODE: C=776231	RESTRICTED TO: -
FINISH: 3		WEIGHT: -	CUSTOMER DRAWING		SCALE: 3:1 SHEET 1 OF 2 REV: A11

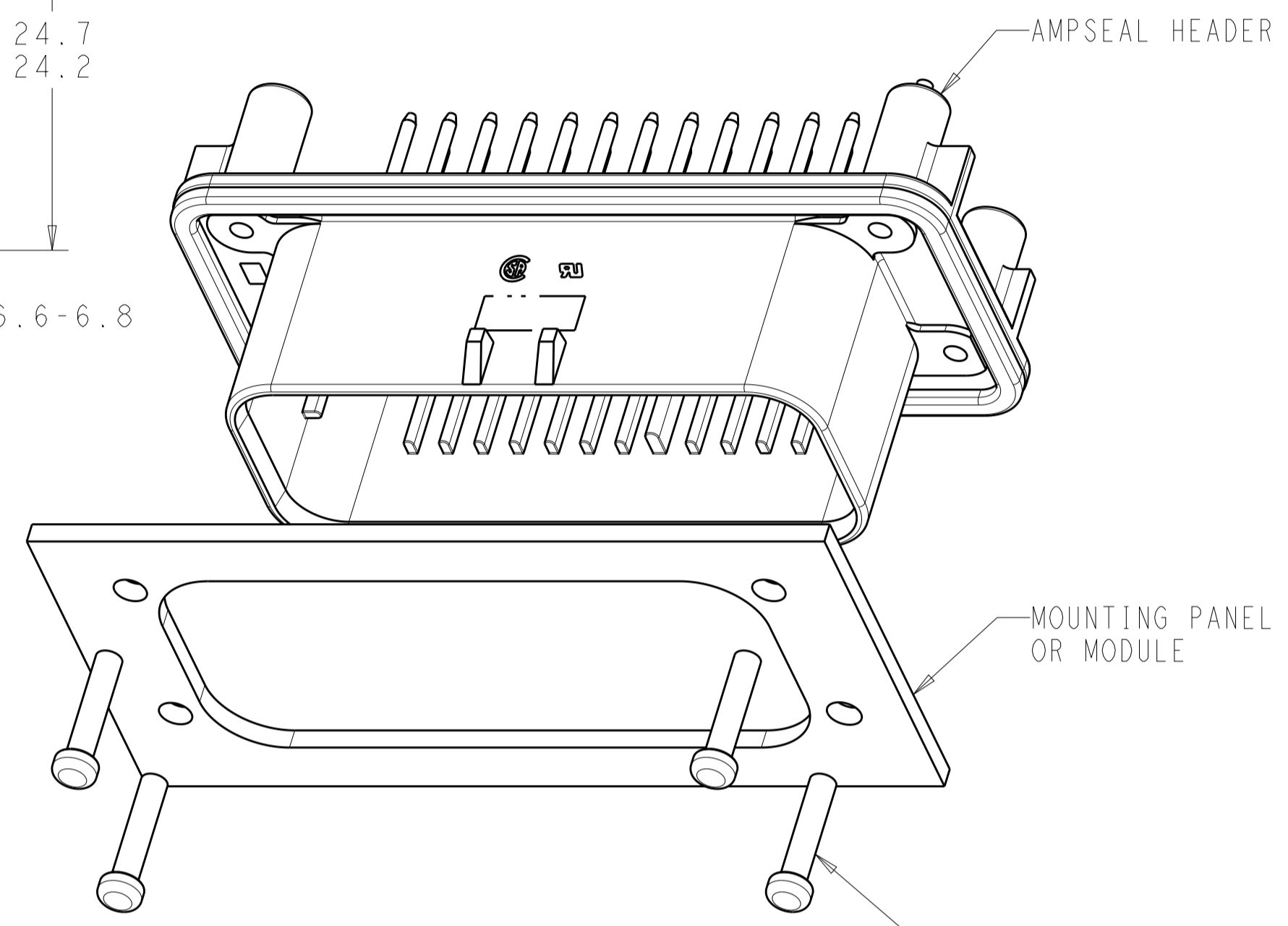
REVISIONS				
P.	LTH	DESCRIPTION	DATE	APVD
-	-	SEE SHEET 1	-	-



RECOMMENDED P.C. BOARD LAYOUT FOR 1.57 THICK P.C. BOARD

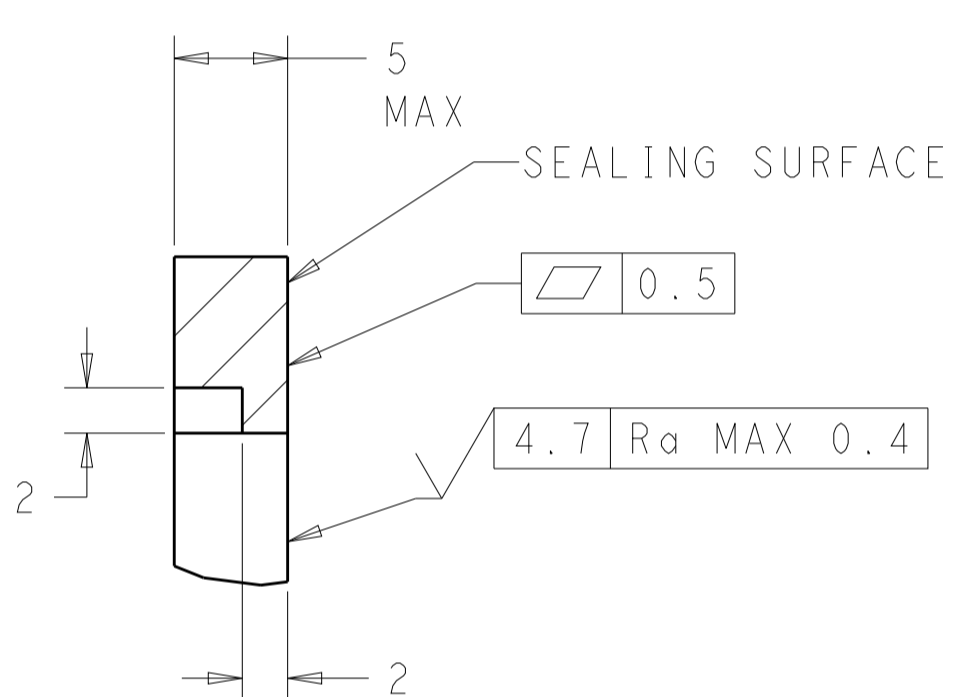


RECOMMENDED MOUNTING HOLE LAYOUT FOR 5.0 MAX THICK PANEL

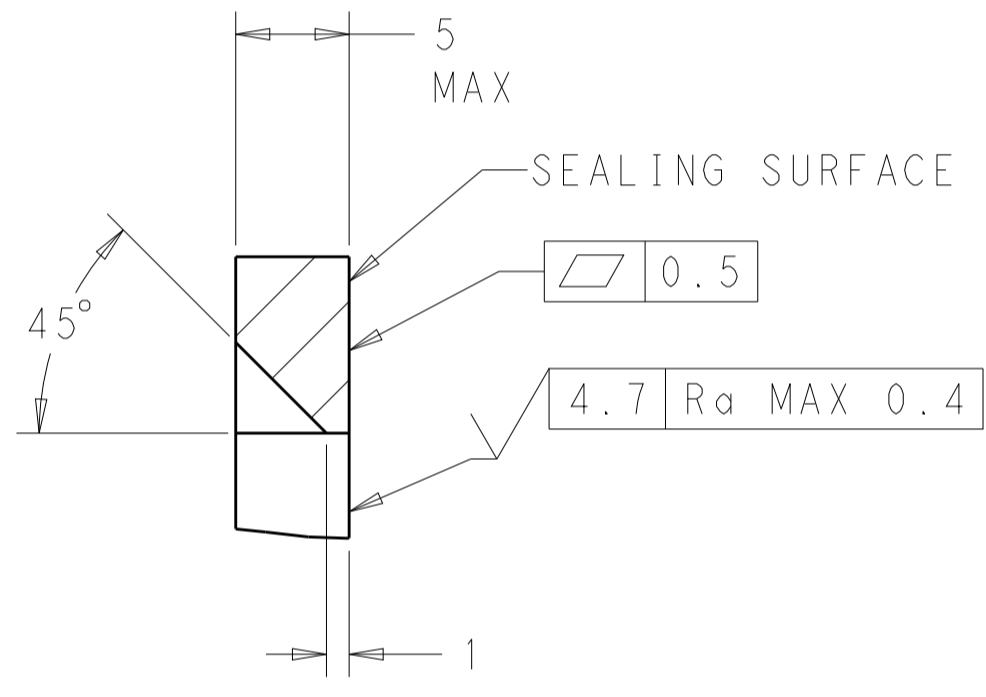


SCALE 2:1

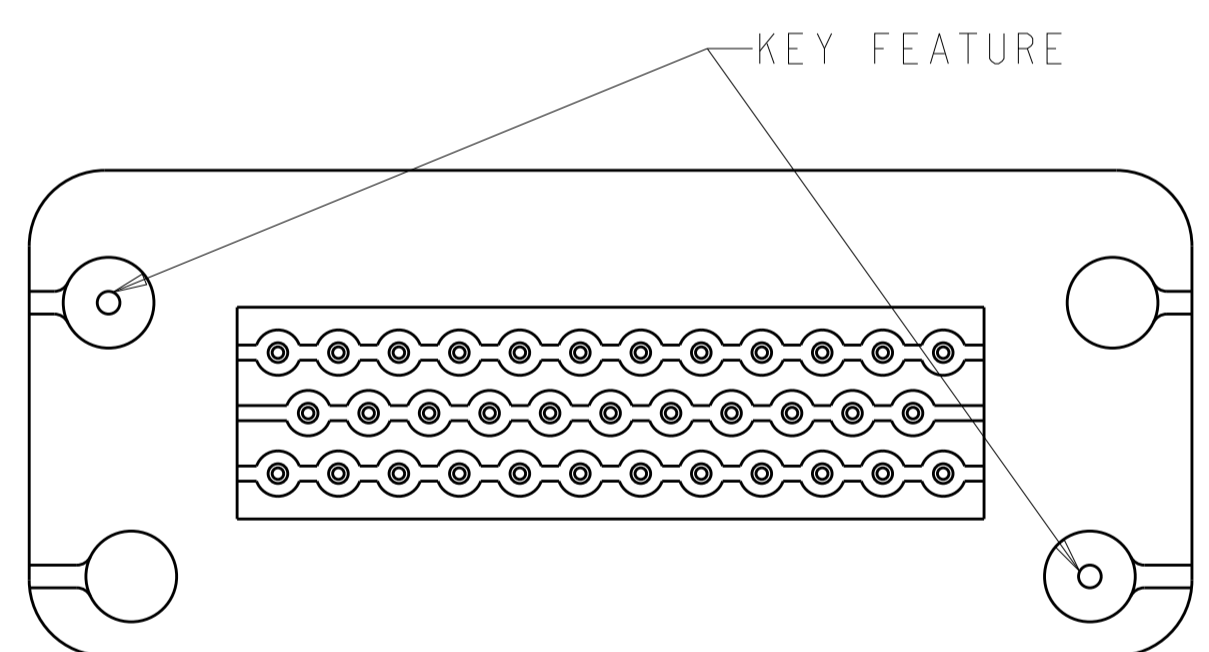
MOUNTING SCREW (4)
 TORQUE TO 0.6N-m TO 0.8N-m



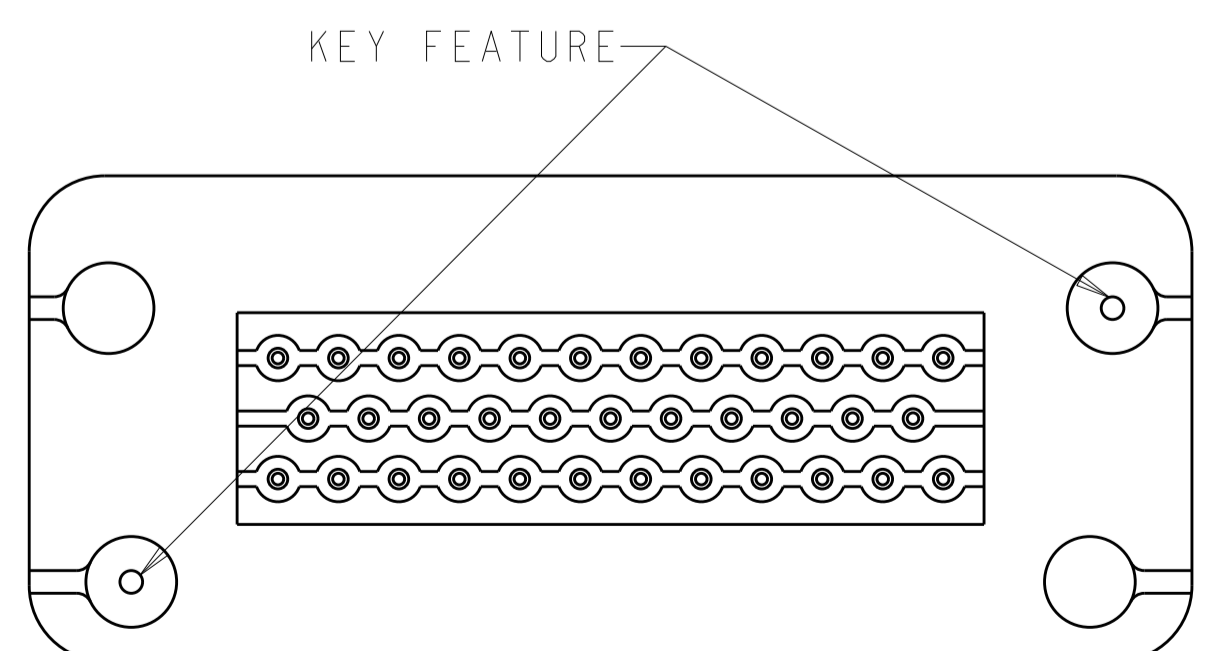
SECTION A-A
 OPTIONAL CONSTRUCTION IF PANEL THICKNESS IS GREATER THAN 2.0



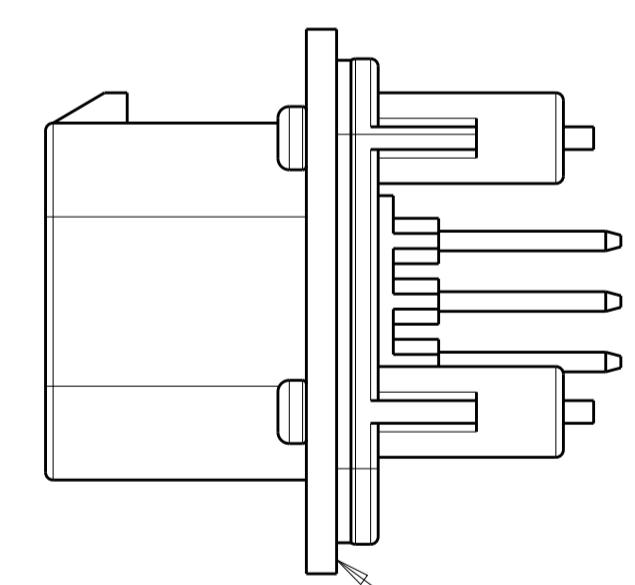
SECTION A-A
 OPTIONAL CONSTRUCTION IF PANEL THICKNESS IS GREATER THAN 2.0



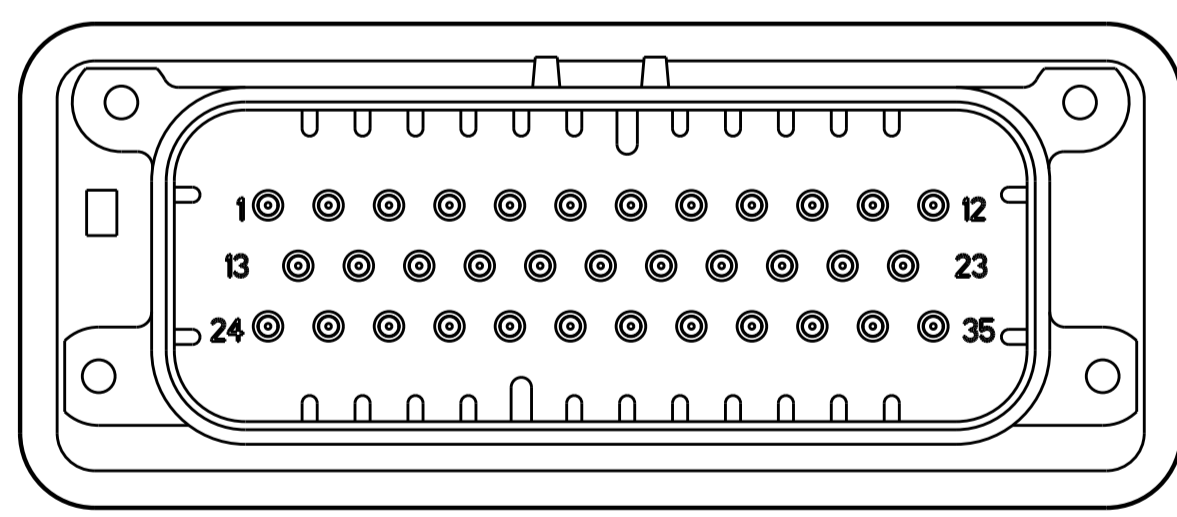
KEYING FOR 776231-1, 1-776231-1, 776231-4, 1-776231-4 AND 1-776231-6
 SCALE 2:1



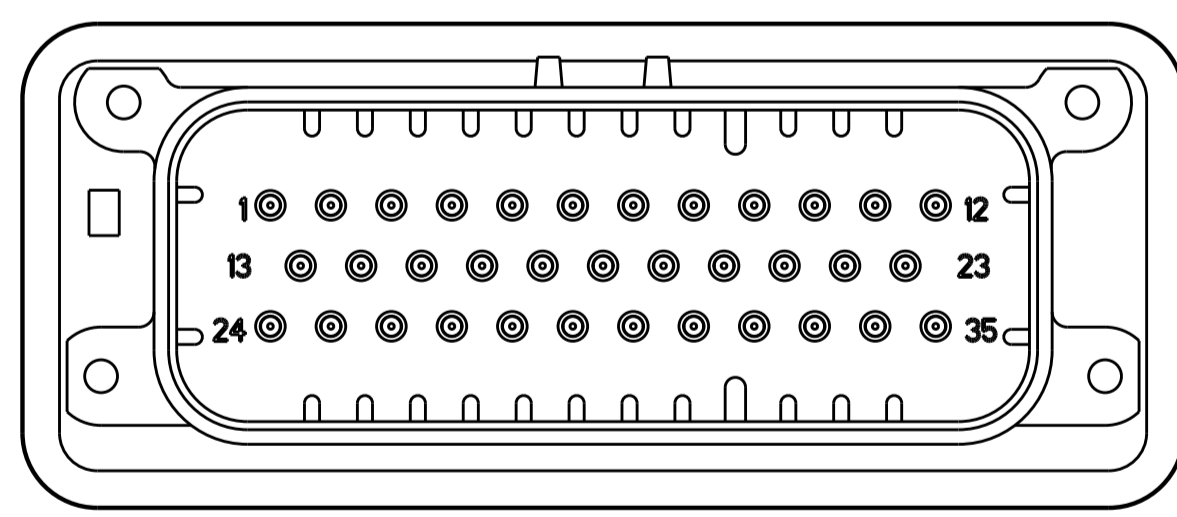
KEYING FOR 776231-2, 1-776231-2, 776231-5 AND 1-776231-5
 SCALE 2:1



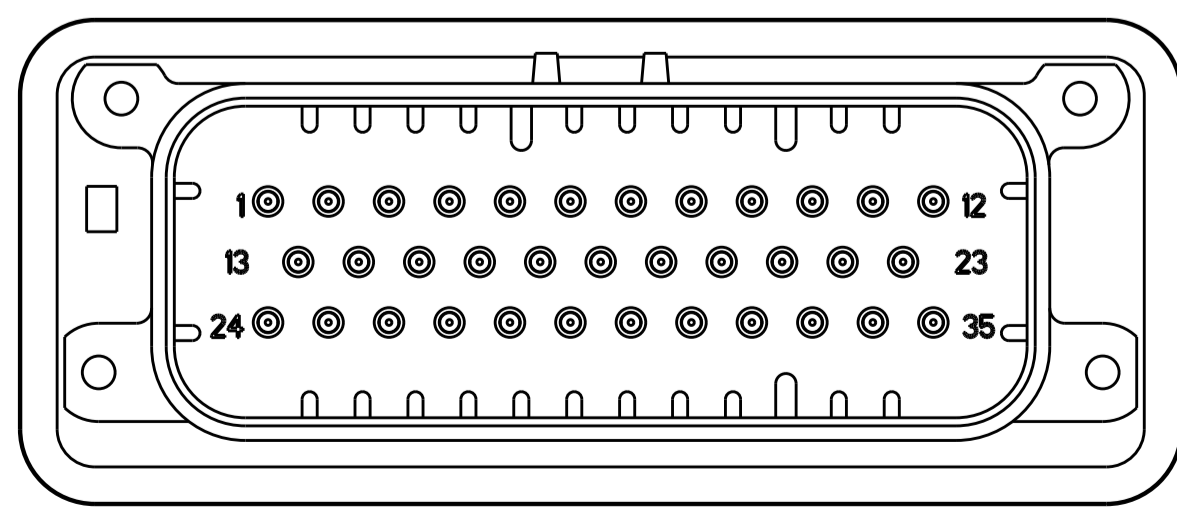
SCALE 2:1
 ENSURE THE HEADER IS FLUSH TO THE PANEL FACE ALL AROUND BEFORE TIGHTENING TO FINAL TORQUE



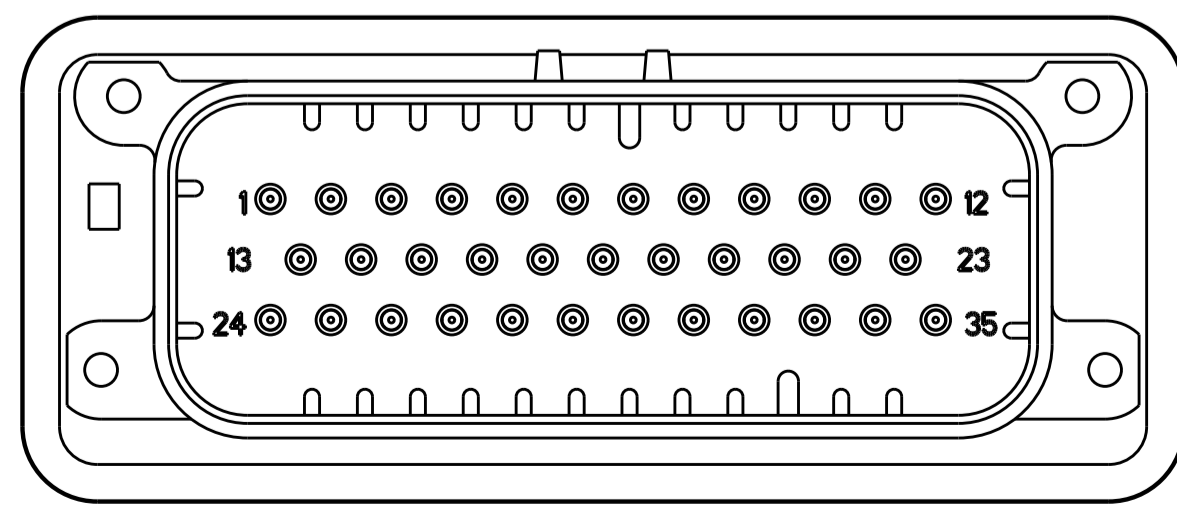
776231-2 & 1-776231-2
 KEY LOCATION
 SCALE 2:1



776231-4 & 1-776231-4
 KEY LOCATION
 SCALE 2:1



776231-5 & 1-776231-5
 KEY LOCATION
 SCALE 2:1



1-776231-6
 KEY LOCATION
 SCALE 2:1

THIS DRAWING IS A CONTROLLED DOCUMENT.		DWN: D. STRAUSSER 05MAR2010 CHK: D. STRAUSSER 22MAR2010 APVD: D. STRAUSSER 27APR2010 PRODUCT SPEC: 108-1329 APPLICATION SPEC: 114-16016 WEIGHT: - CUSTOMER DRAWING: -	NAME: ASSEMBLY, HEADER, 35 POSITION, VERTICAL, AMPSEAL WITH FLANGE SEAL SIZE: A1 CAGE CODE: 776231 SCALE: 2:1 SHEET: 2 OF 2 REV: A11
DIMENSIONS: mm 	TOLERANCES UNLESS OTHERWISE SPECIFIED: 0 PLC ±0.2 1 PLC ±0.2 2 PLC ±0.13 3 PLC ±0.13 4 PLC ±0.13 ANGLES ±4° FINISH: -	MATERIAL: - FINISH: -	RESTRICTED TO: -